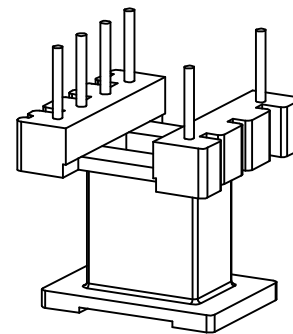
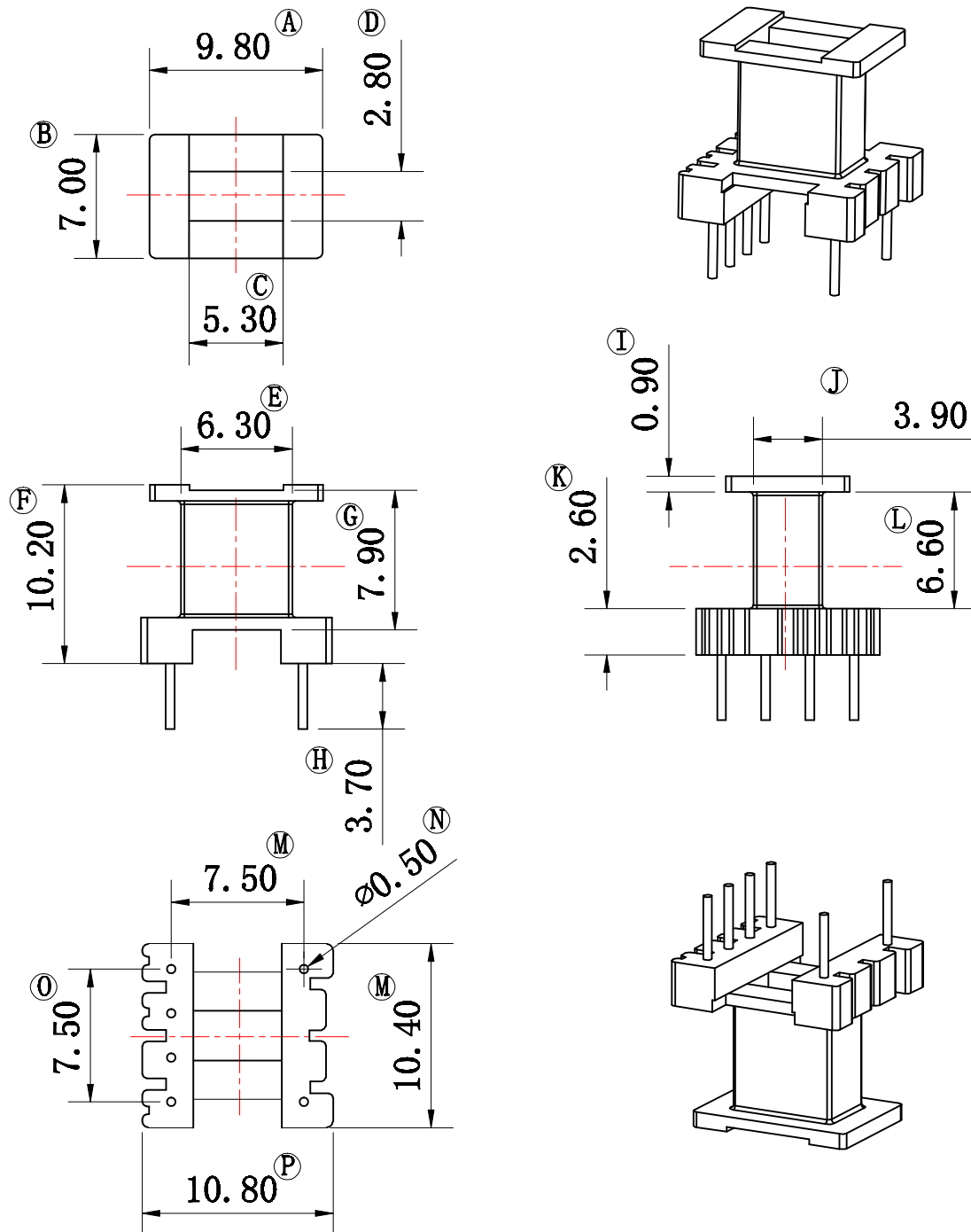


FWB1071-J



| REV | REVISION RECORD | DATE | REV | REVISION RECORD | DATE |
|-----|-----------------|------|-----|-----------------|------|
| A | | | C | | |
| B | | | D | | |

| | | | | | | |
|------------------------|--------------|---------------|---|---|-------|---------------|
| NAME | EE10 7.5*7.5 | MATERIAL | PHENOLIC | SCALE | ANGLE | $\pm 1^\circ$ |
| DRAWING NO. | FWB1071-J | PIN MATERIAL | CP WIRE | UNIT | m/m | REV |
| TOLERANCE OF PIN PITCH | ± 0.20 | | HAINING FERRIWO ELECTRONICS CO.,LTD. | | | |
| PIN TENSION LOAD | kg MN | UL REC: 94V-0 | TEL: +86-573-87088701 FAX: +86-573-87081130 | | | |
| TOLERANCE: | 0<L≤4: ±0.2 | 4<L≤16: ±0.3 | 16<L≤63: ±0.4 | Web: www.ferriwo.com Email: sales@ferriwo.com | | |